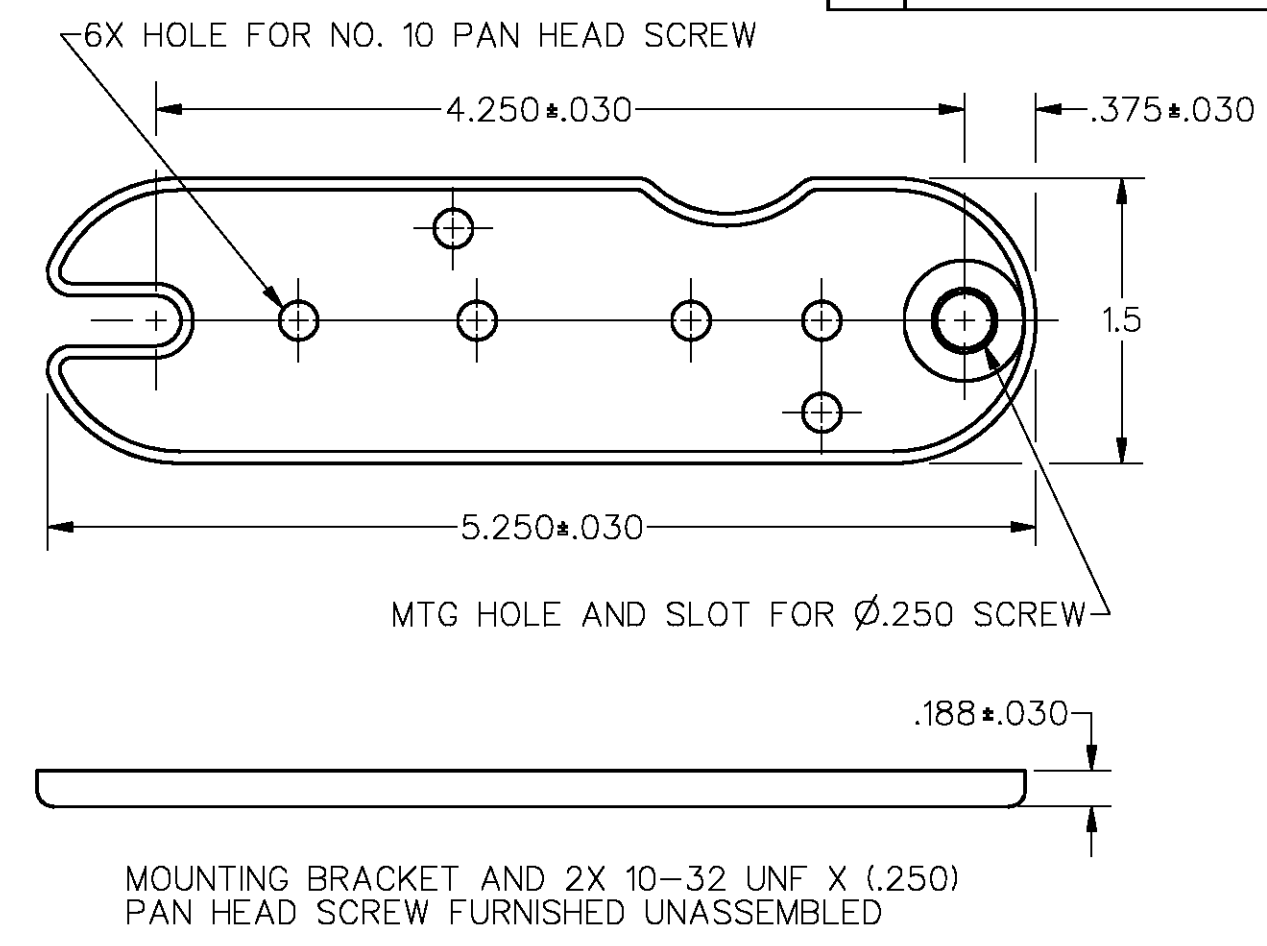
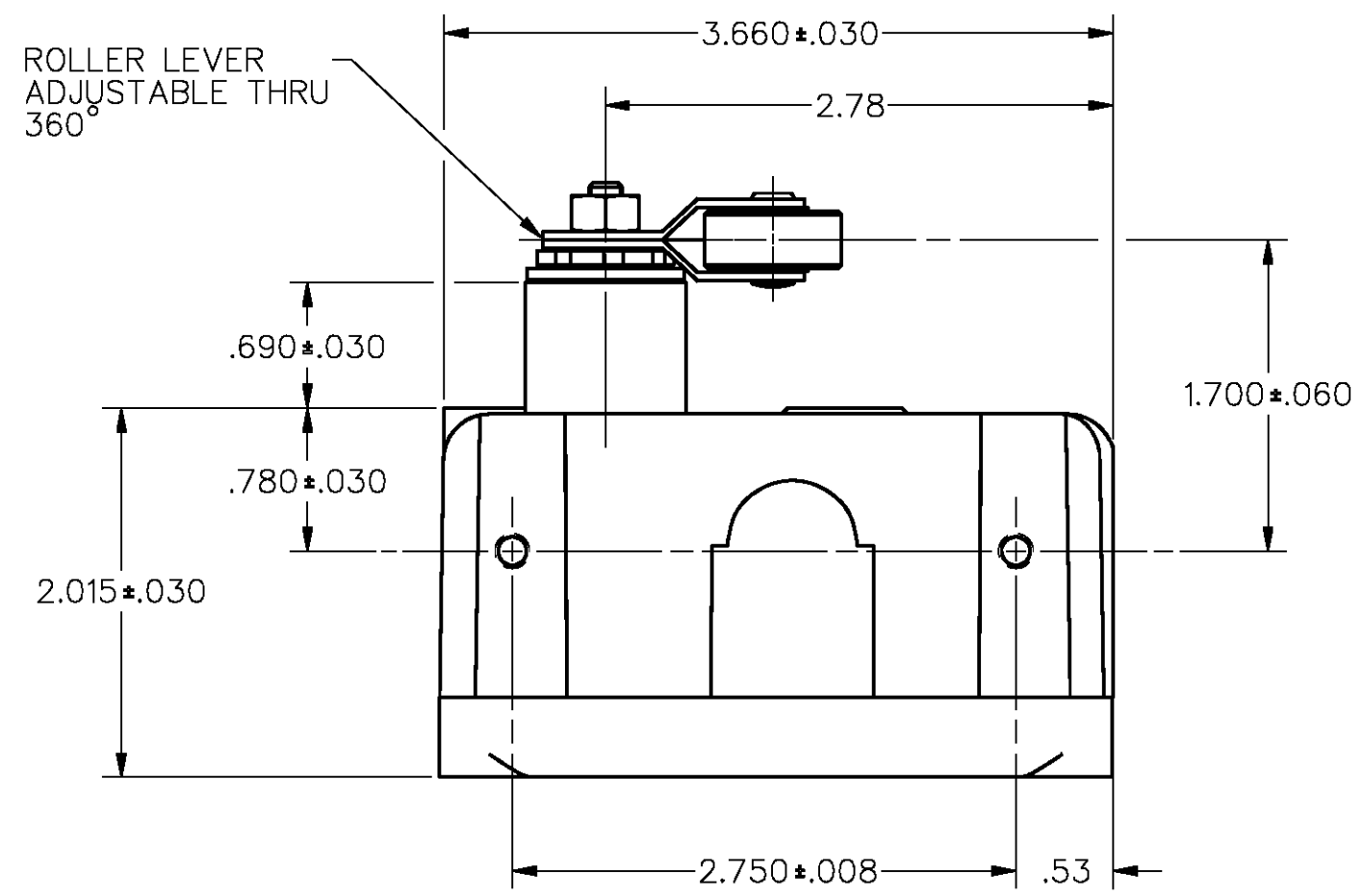
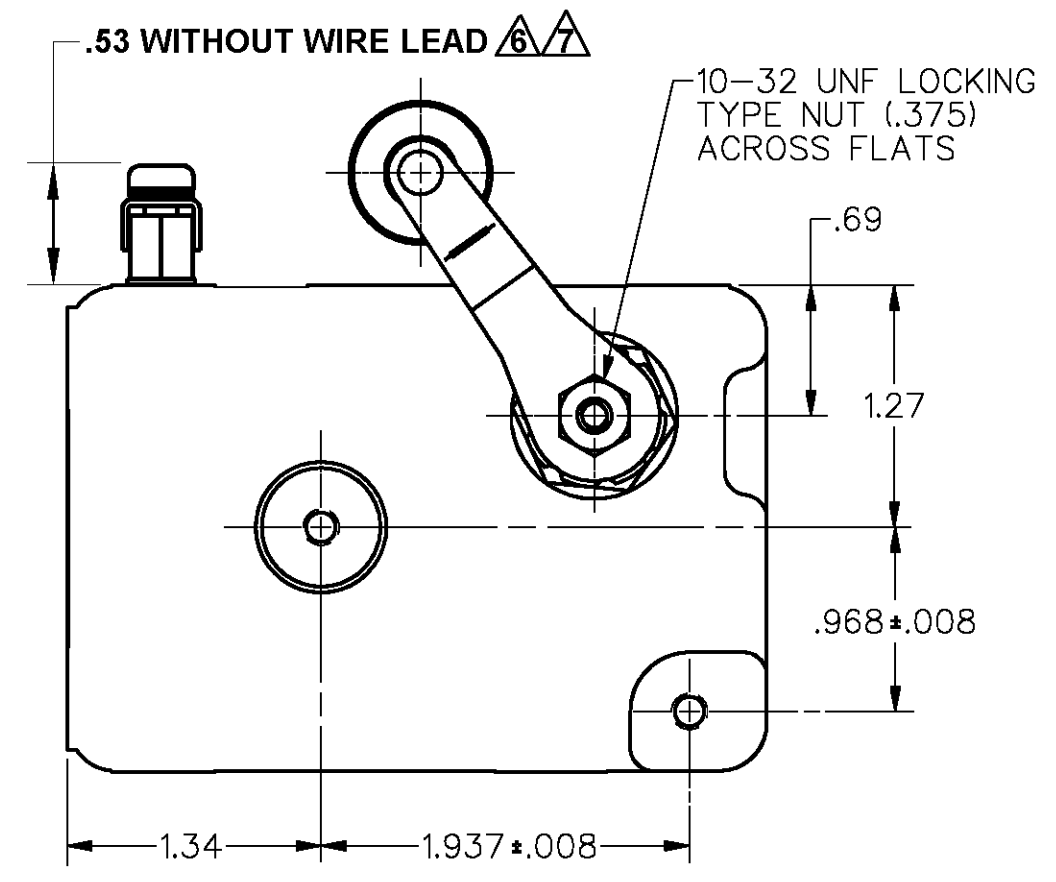
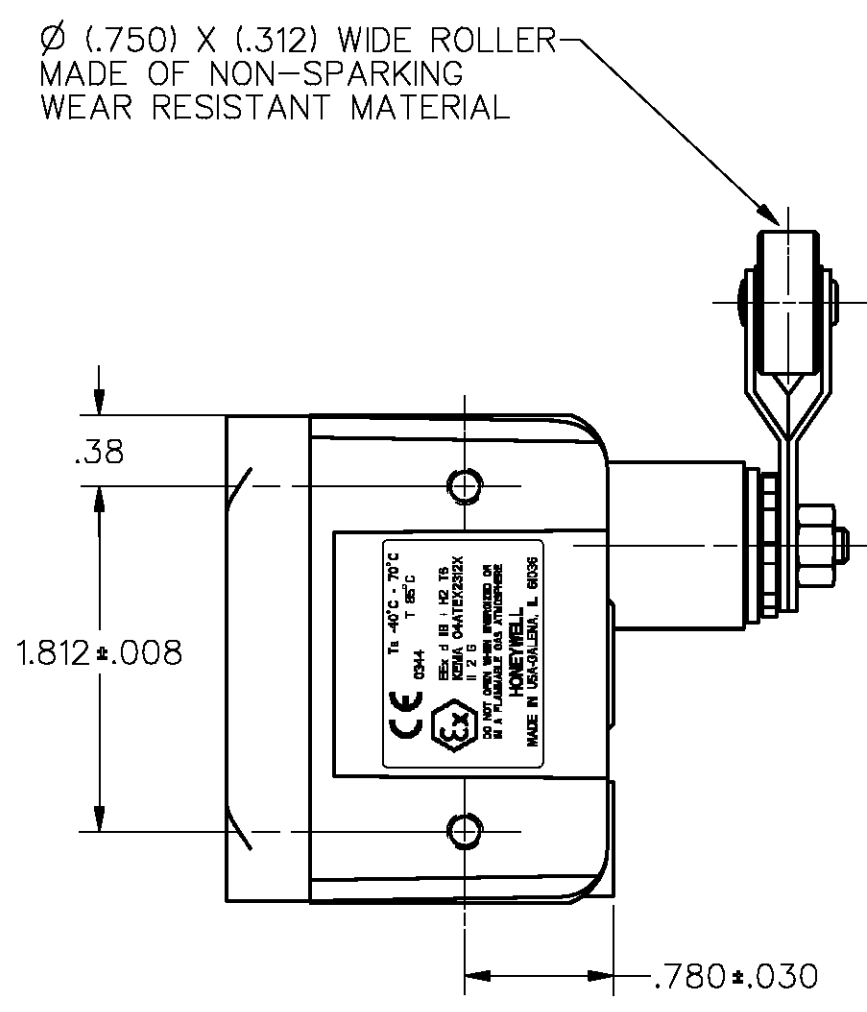
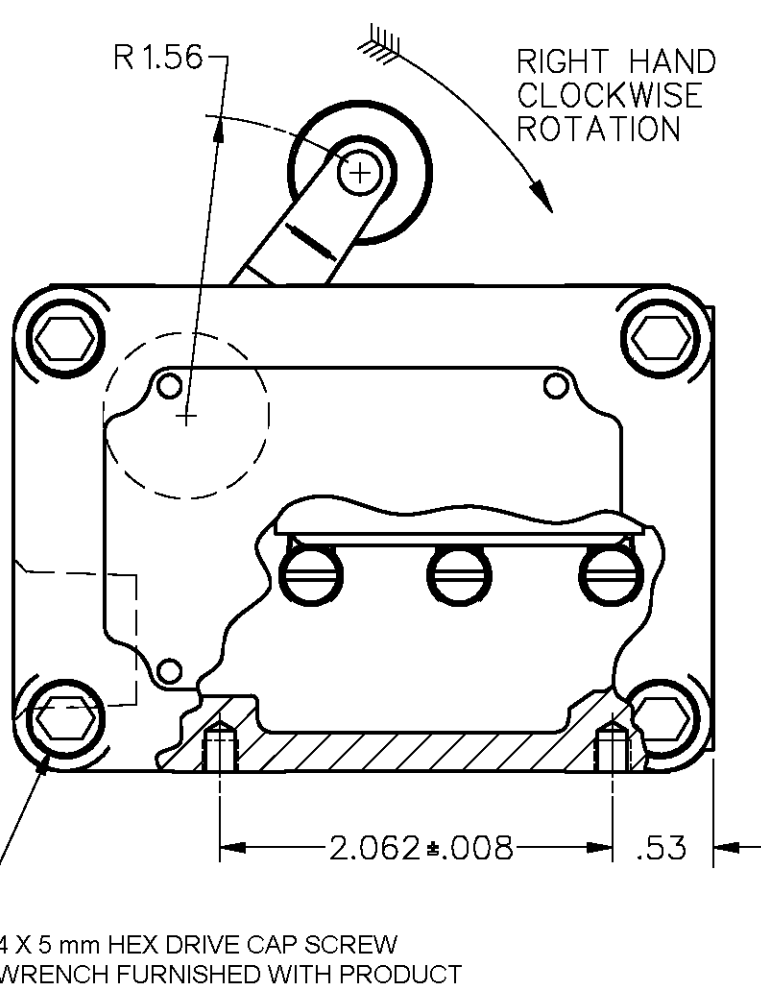
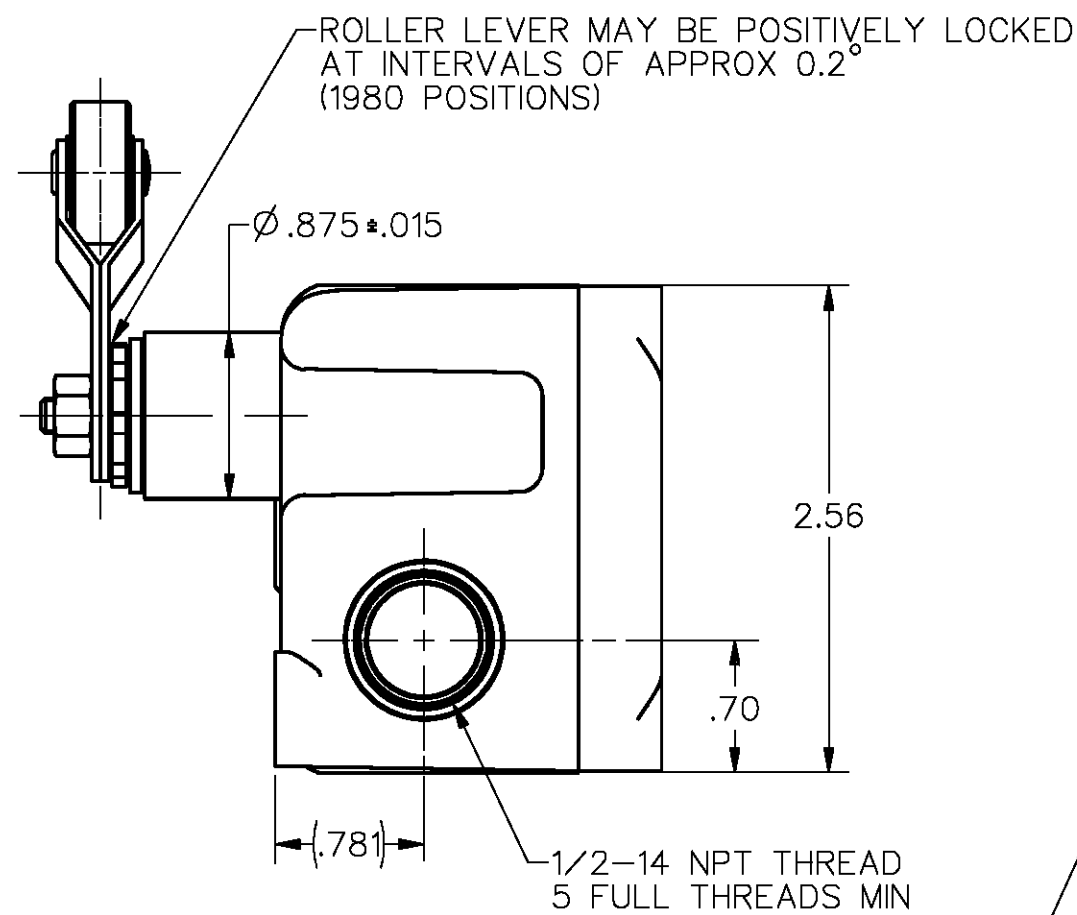


M EX-AR



EX-AR
M
DRAWING NUMBER
ISSUE 29
REPLACES
RELEASE NO.
CHECK
26APR05
AK
CHECK
16 OCT 92
S A V
DMM/CAD
DRAWN



- NOTES
- 1 - EXPLOSION PROOF - UNDERWRITERS LAB INC LISTED FOR HAZARDOUS LOCATIONS NEMA 7, CLASS I, GROUPS C AND D, NEMA 9, CLASS II, GROUPS E, F, AND G
 - 2 - 8X MOUNTING SCREW HOLE, 10-32 UNF THREADS X (.219) DEEP
 - 3 - 8-32 UNC X (.219) TERMINAL SCREWS AND CUPWASHERS
 - 4 - EUROPEAN HAZARDOUS LOCATIONS DESIGNATION: EEx d IIB + H2 T6 CATAGORY II 2 G
 - 5 - SEAL RATING: NEMA 1
- ⚠️ EXTERNAL GROUND SCREW MAY BE ASSEMBLED TO ANY UNUSED MOUNTING SCREW HOLE
- ⚠️ ASSEMBLE PROVIDED SPLIT LOCKWASHER BETWEEN GROUND LUG AND HOUSING

CHARACTERISTICS	ELECTRICAL DATA
OPERATING FORCE ----- 1/2 - 1 1/4 LB	CONTACT ARRANGEMENT S P D T
RELEASE FORCE ----- 1/4 LB MIN	L96
PRETRAVEL ----- .219 MAX 8°	15A 125, 250 OR 480 VAC
DIFFERENTIAL TRAVEL ---- .007 MAX 1/4°	1/8HP 125 VAC, 1/4HP 250 VAC
DO NOT OVERTRAVEL MORE THAN --- 90°	1/2A 125 VDC, 1/4A 250 VDC
SWITCH - BASIC REPLACEMENT--BZ-2R-P4	



MASTER REDUCED
ANSI Y14.5M-1982 APPLIES

THIS DRAWING COVERS A PROPRIETARY ITEM AND IS THE PROPERTY OF MICRO SWITCH, A DIVISION OF HONEYWELL. THIS DRAWING IS NOT TO BE COPIED OR USED WITHOUT THE APPROVAL OF MICRO SWITCH.

MICRO SWITCH
a Honeywell Division

SWITCH - ENCLOSED

CATALOG LISTING
EX-AR

THIRD ANGLE PROJECTION

SCALE FULL

DO NOT SCALE PRINT

UNLESS OTHERWISE SPECIFIED TOLERANCES ARE

ONE PLACE	(.0)	±.030
TWO PLACES	(.00)	±.015
THREE PLACES	(.000)	±.005
ANGLES		±

WEIGHT

FED. MFG. CODE 91929